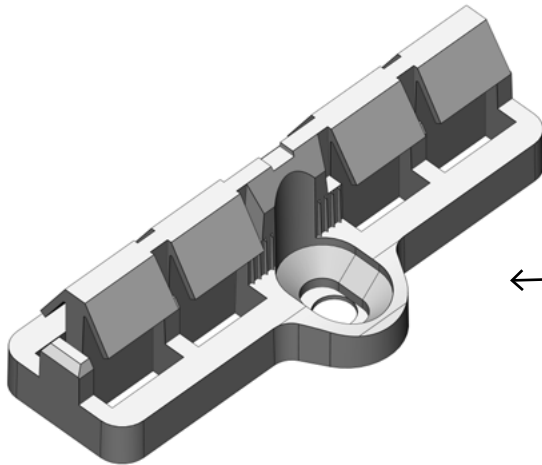
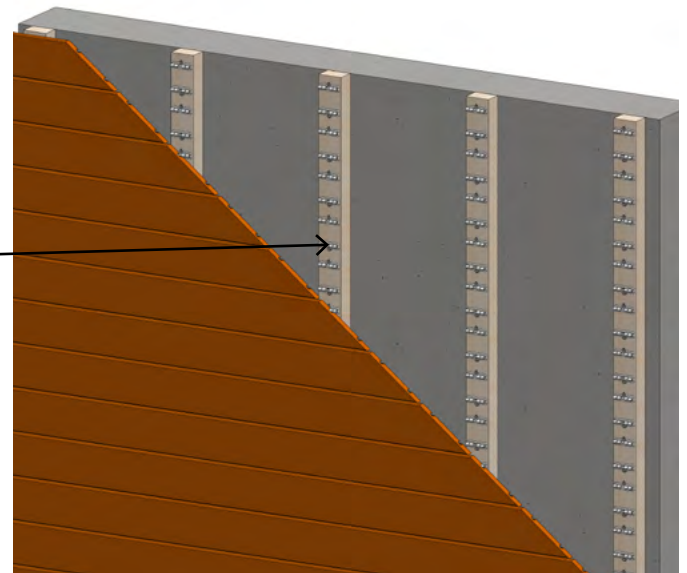


SOLO CLIP

Utilisation : For securing decking and cladding boards



SOLO CLIP



SOLO CLIP

Material	Polyoxymethylene
Density (kg/m³)	1410
Colour	Black
Tensile stress at yield (MPa)	64
Fusion temperature °C	190-220
Tensile modulus (MPa)	2850
Coefficient of linear expansion (10⁻⁶/K)	110
Weight (g)	7,93

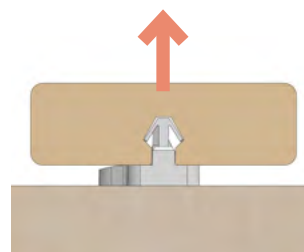
MECHANICAL PERFORMANCE

With 20x65 mm Thermo-pine board

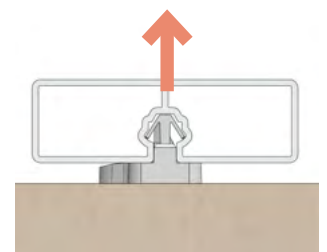
Average breaking force (N) 661

With aluminium board

Average breaking force (N) 1120



The Thermo-pine board breaks at approx. 661 N



The Solo Clip breaks at approx. 1120 N

